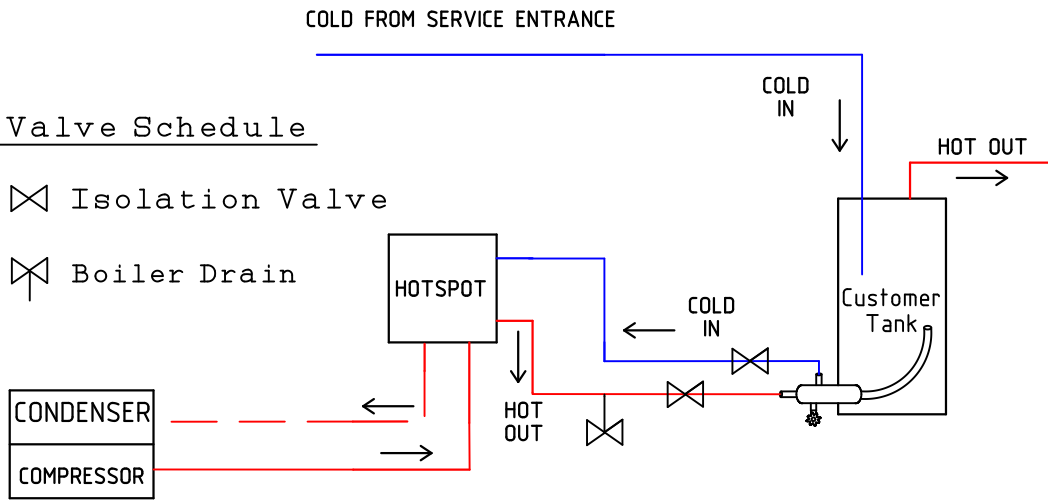


REVISION HISTORY			
REV	DESCRIPTION	DATE	APPROVED
A	Single Unit with Customer Tank and TT	1/12/2011	

Valve Schedule

⊠ Isolation Valve

⊠ Boiler Drain



DESIGNED BY	JHW		
DRAWN BY	JHW		
CHECKED BY	PJS	TITLE	
APPROVED BY	MES	Single Unit with Customer Tank and TT	
OTHER APPROVALS		SIZE	CAGE CODE
CAD FILE NAME		Sz	Cge Cd
		DRAWING NO.	Drawing No.
	SCALE	Scale	SHEET Sht OF Total